



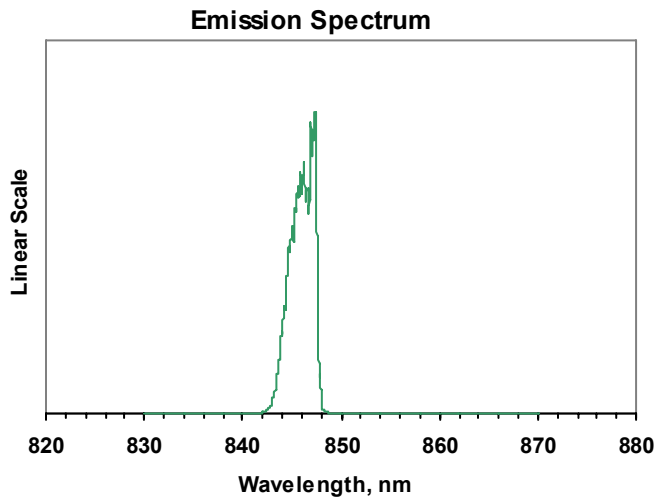
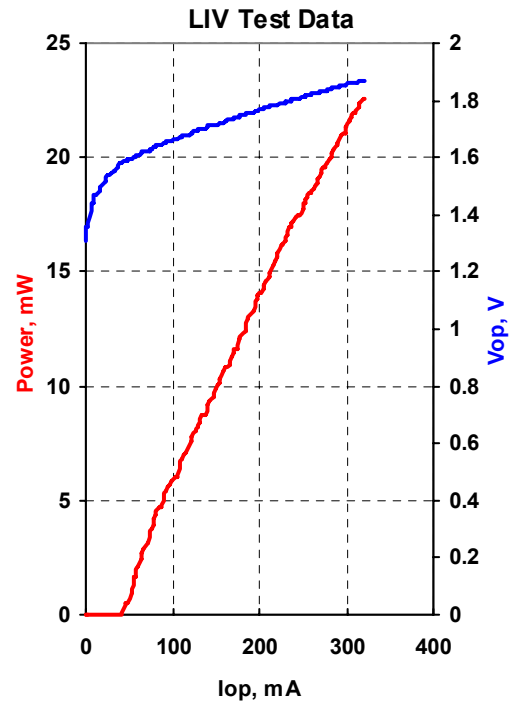
QPHOTONICS, LLC

3830 Packard Road,
Suite 280,
Ann Arbor, MI 48108,
USA

Phone: 734-477-0133
Fax: 734-477-0166
Email: info@qphotonics.com
http://www.qphotonics.com

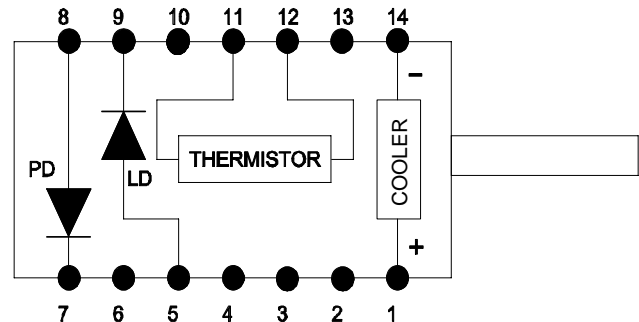
MODEL	QFLD-850-20S
PART NUMBER	SAMPLE

Parameter	Value	Units
Internal Temperature	25	°C
Thermistor Resistance	10.0	kΩ
Optical Output Power	20.1	mW
Threshold Current	56	mA
Operating Current	283	mA
Operating Voltage	1.84	V
Monitor Current	0.62	mA
Monitor Dark Current	0	nA
Center Wavelength	847.3	nm
Spectral Width	2.28	nm



Fiber Type	HI780
NA	0.14
Connector	FC/PC

Pin	Connection
1	TE Cooler (+)
5	LD Anode (+)
7	PD Cathode (+)
8	PD Anode (-)
9	LD Cathode (-)
11	Thermistor
12	Thermistor
14	TE Cooler (-)



Operator	RL
Date	12/17/2008