



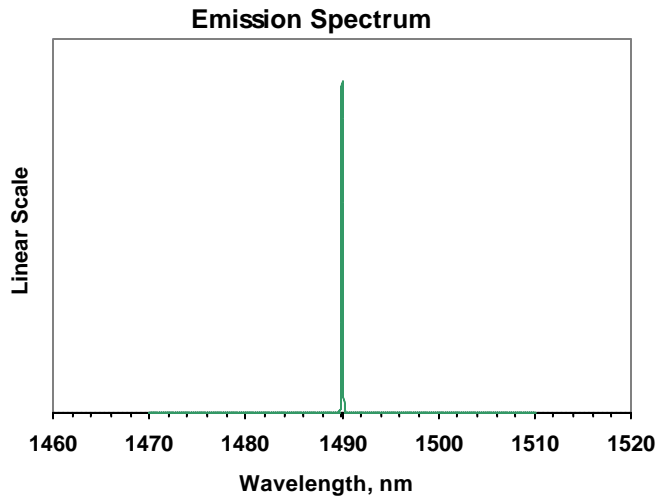
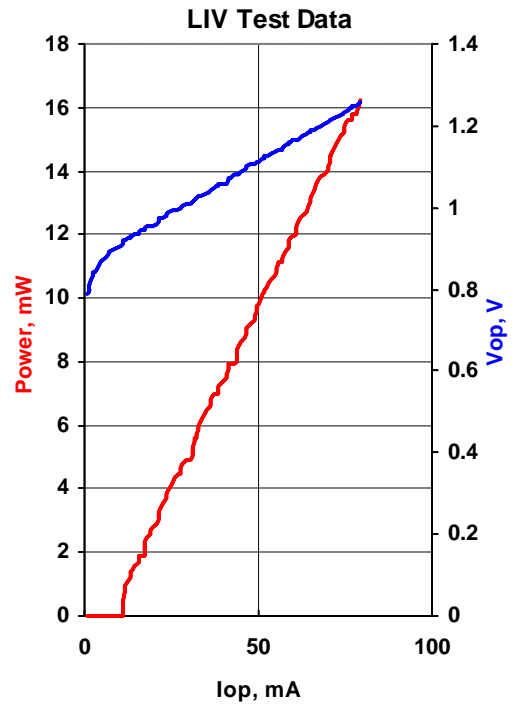
QPHOTONICS, LLC

3830 Packard Road,
Suite 170,
Ann Arbor, MI 48108,
USA

Phone: 734-477-0133
Fax: 734-477-0166
Email: info@qphotonics.com
http://www.qphotonics.com

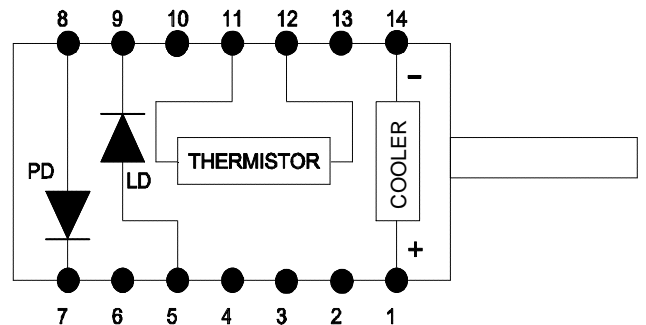
| | |
|-------------|-------------------|
| MODEL | QDFBLD-1490-10DIL |
| PART NUMBER | SAMPLE |

| Parameter | Value | Units |
|----------------------------------|-----------|-----------|
| Internal Temperature | 25 | °C |
| Thermistor Resistance | 10.0 | k? |
| Optical Output Power | 10.2 | mW |
| Threshold Current | 11 | mA |
| Operating Current | 51 | mA |
| Maximum Operating Current | 56 | mA |
| Operating Voltage | 1.12 | V |
| Monitor Current | 0.76 | mA |
| Center Wavelength | 1490 | nm |
| Spectral Width | <0.01 | nm |



| | |
|------------|-------|
| Fiber Type | SMF28 |
| NA | 0.13 |
| Connector | |

| Pin | Connection |
|-----|----------------|
| 1 | TE Cooler (+) |
| 5 | LD Anode (+) |
| 7 | PD Cathode (+) |
| 8 | PD Anode (-) |
| 9 | LD Cathode (-) |
| 11 | Thermistor |
| 12 | Thermistor |
| 14 | TE Cooler (-) |



| | |
|----------|--|
| Operator | |
| Date | |