



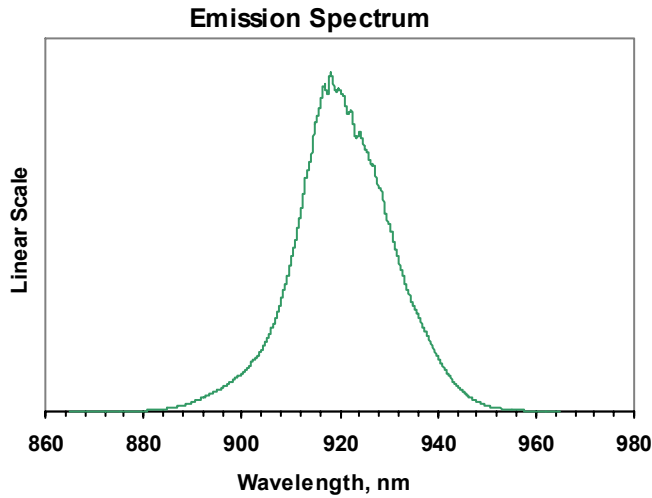
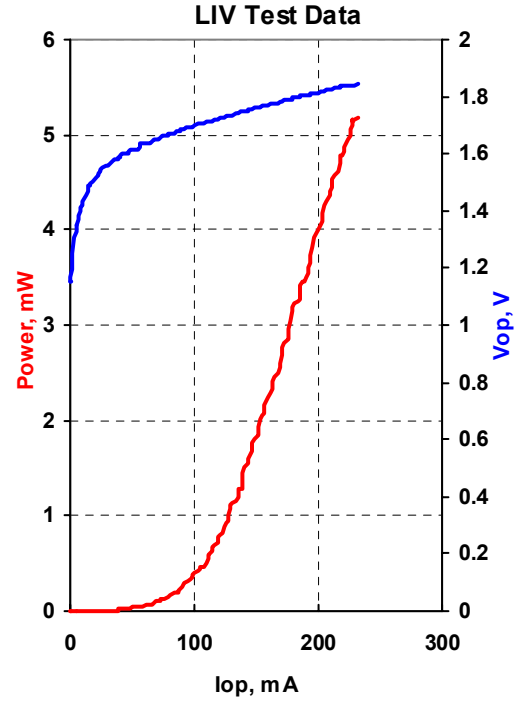
QPHOTONICS, LLC

3830 Packard Road,
Suite 280,
Ann Arbor, MI 48108,
USA

Phone: 734-477-0133
Fax: 734-477-0166
Email: info@qphotonics.com
http://www.qphotonics.com

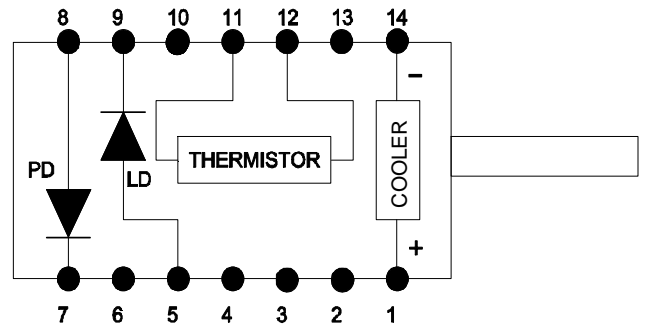
MODEL	QSSL-920-2
PART NUMBER	07.11.59

Parameter	Value	Units
Internal Temperature	25	°C
Thermistor Resistance	10.0	kΩ
Optical Output Power	2.1	mW
Threshold Current	-	mA
Operating Current	156	mA
Operating Voltage	1.77	V
Monitor Current	1.64	mA
Monitor Dark Current	0	nA
Center Wavelength	920.7	nm
Spectral Width @ 1nm resolu	19.9	nm
Ripples @ 0.2 nm resolu	3	%



Fiber Type	HI780
NA	0.14
Connector	FC/APC

Pin	Connection
1	TE Cooler (+)
5	LD Anode (+)
7	PD Cathode (+)
8	PD Anode (-)
9	LD Cathode (-)
11	Thermistor
12	Thermistor
14	TE Cooler (-)



Operator	RL
Date	5/12/2010