



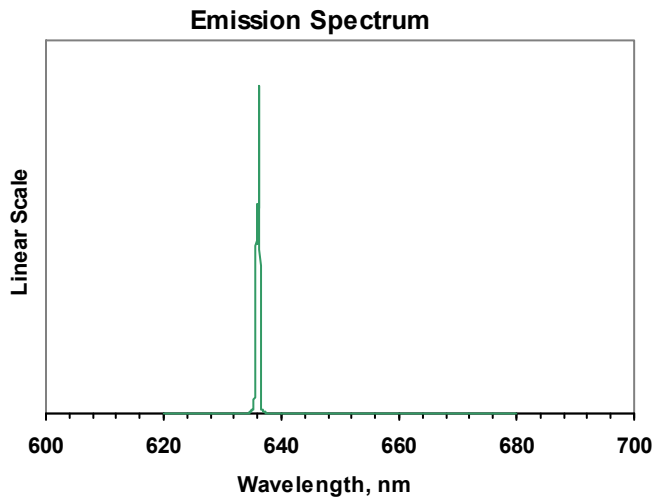
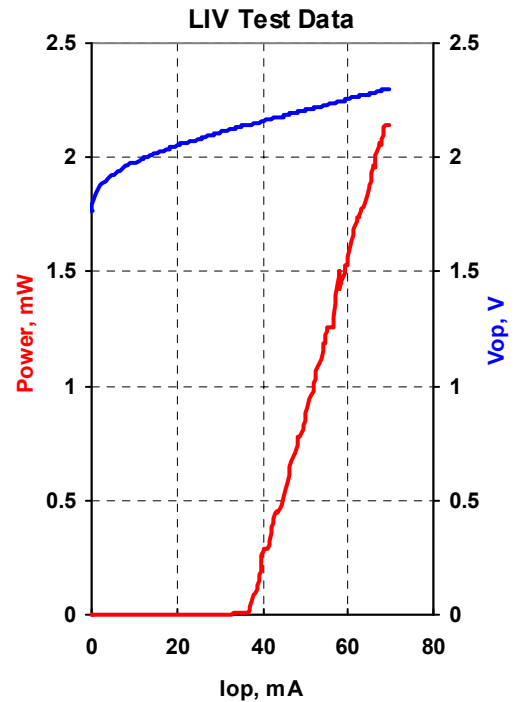
# QPHOTONICS, LLC

3830 Packard Road,  
Suite 280,  
Ann Arbor, MI 48108,  
USA

Phone: 734-477-0133  
Fax: 734-477-0166  
Email: info@qphotonics.com  
http://www.qphotonics.com

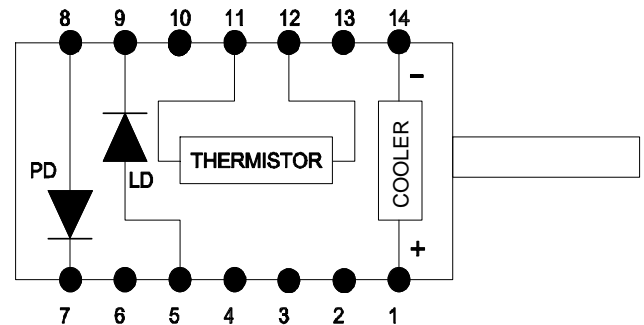
<b>MODEL</b>	QFLD-635-1S
<b>PART NUMBER</b>	SAMPLE

Parameter	Value	Units
Internal Temperature	25	°C
Thermistor Resistance	10.0	kΩ
Optical Output Power	1	mW
Threshold Current	36	mA
Operating Current	52	mA
Operating Voltage	2.21	V
Monitor Current	0.08	mA
Monitor Dark Current	0	nA
Center Wavelength	636.3	nm
Spectral Width	0.56	nm



<b>Fiber Type</b>	SM600
<b>NA</b>	0.14
<b>Connector</b>	FC/PC

Pin	Connection
1	TE Cooler (+)
5	LD Anode (+)
7	PD Cathode (+)
8	PD Anode (-)
9	LD Cathode (-)
11	Thermistor
12	Thermistor
14	TE Cooler (-)



<b>Operator</b>	RL
<b>Date</b>	