



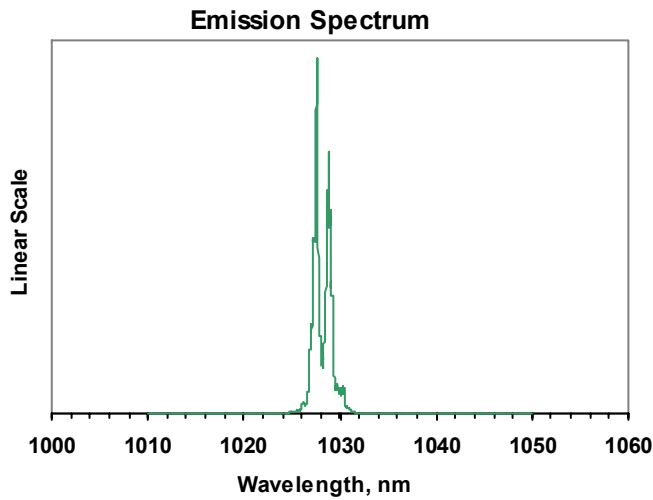
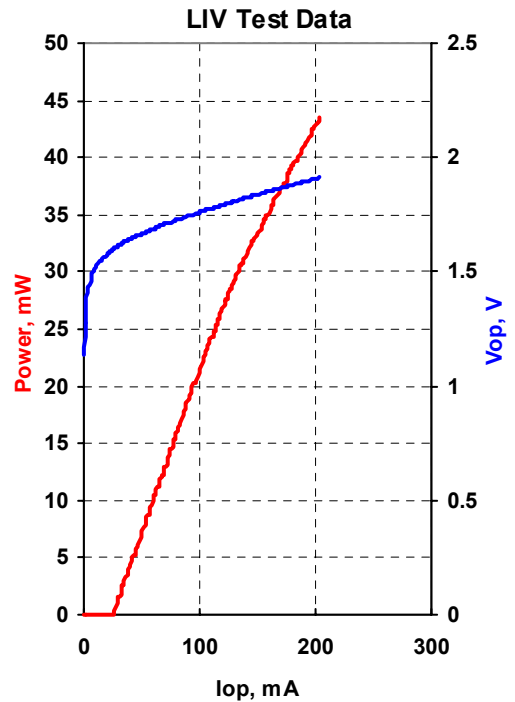
QPHOTONICS, LLC

3830 Packard Road,
Suite 280,
Ann Arbor, MI 48108,
USA

Phone: 734-477-0133
Fax: 734-477-0166
Email: info@qphotonics.com
http://www.qphotonics.com

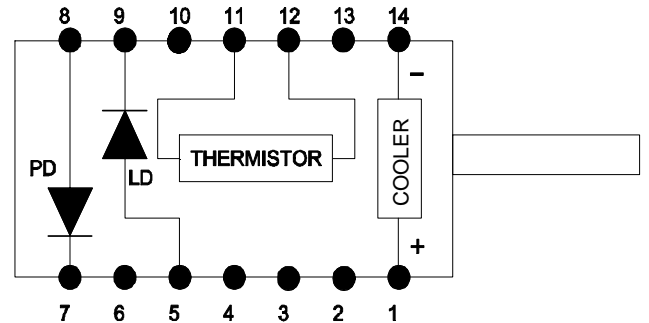
MODEL	QFLD-1030-30S
PART NUMBER	SAMPLE

Parameter	Value	Units
Internal Temperature	25	°C
Thermistor Resistance	10.0	kΩ
Optical Output Power	30	mW
Threshold Current	28	mA
Operating Current	134	mA
Operating Voltage	1.81	V
Monitor Current	0.29	mA
Monitor Dark Current	0	nA
Center Wavelength	1028.1	nm
Spectral Width	1.84	nm



Fiber Type	HI1060
NA	0.14
Connector	

Pin	Connection
1	TE Cooler (+)
5	LD Anode (+)
7	PD Cathode (+)
8	PD Anode (-)
9	LD Cathode (-)
11	Thermistor
12	Thermistor
14	TE Cooler (-)



Operator	
Date	