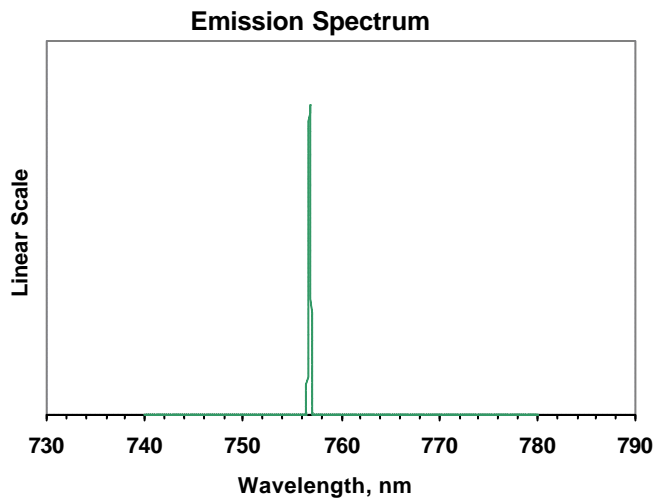
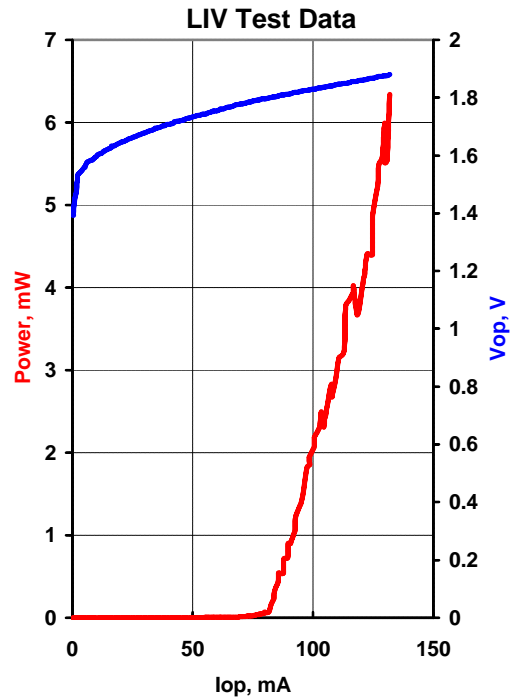




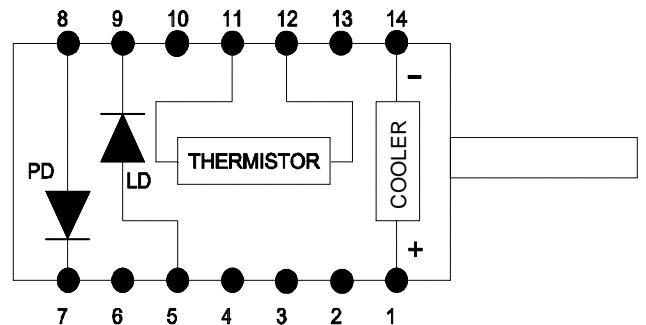
MODEL	QFBGLD-760-5
PART NUMBER	SAMPLE

Parameter	Value	Units
Internal Temperature	25	°C
Thermistor Resistance	10.0	k?
Optical Output Power	5	mW
Threshold Current	81	mA
Operating Current	126	mA
Operating Voltage	1.87	V
Monitor Current	0.13	mA
Monitor Dark Current	0	nA
Center Wavelength	756.8	nm
Spectral Width	<0.01	nm



Fiber Type	HI780
NA	0.14
Connector	

Pin	Connection
1	TE Cooler (+)
5	LD Anode (+)
7	PD Cathode (+)
8	PD Anode (-)
9	LD Cathode (-)
11	Thermistor
12	Thermistor
14	TE Cooler (-)



Operator	
Date	