



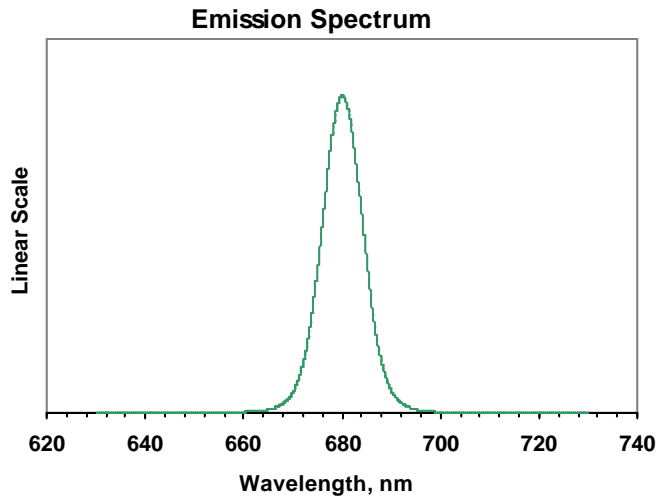
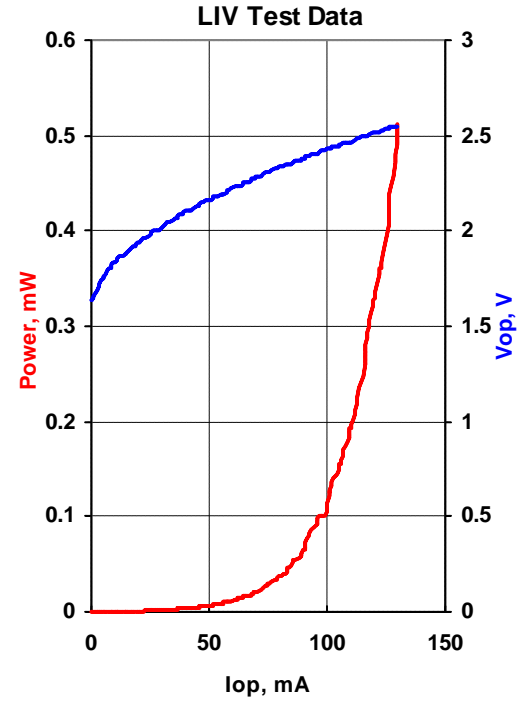
# QPHOTONICS, LLC

3830 Packard Road,  
Suite 170,  
Ann Arbor, MI 48108,  
USA

Phone: 734-477-0133  
Fax: 734-477-0166  
Email: info@qphotonics.com  
http://www.qphotonics.com

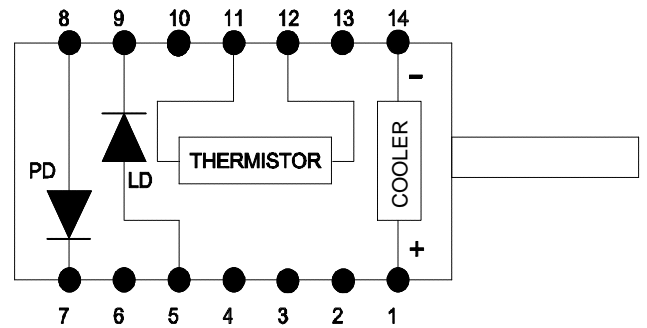
MODEL	QSSL-680-0.5
PART NUMBER	SL60118

Parameter	Value	Units
Internal Temperature	25	°C
Thermistor Resistance	10.0	k?
Optical Output Power	0.5	mW
Threshold Current	-	mA
Operating Current	129	mA
<b>Maximum Operating Current</b>	<b>142</b>	<b>mA</b>
Operating Voltage	2.55	V
Monitor Current	0.1	mA
Center Wavelength	680.1	nm
Spectral Width @ 0.5nm resolu	9.51	nm
Ripples @ 0.5 nm resolu	3	%



Fiber Type	SM600
NA	0.14
Connector	FC/PC

Pin	Connection
1	TE Cooler (+)
5	LD Anode (+)
7	PD Cathode (+)
8	PD Anode (-)
9	LD Cathode (-)
11	Thermistor
12	Thermistor
14	TE Cooler (-)



Operator	RL
Date	1/27/2020