



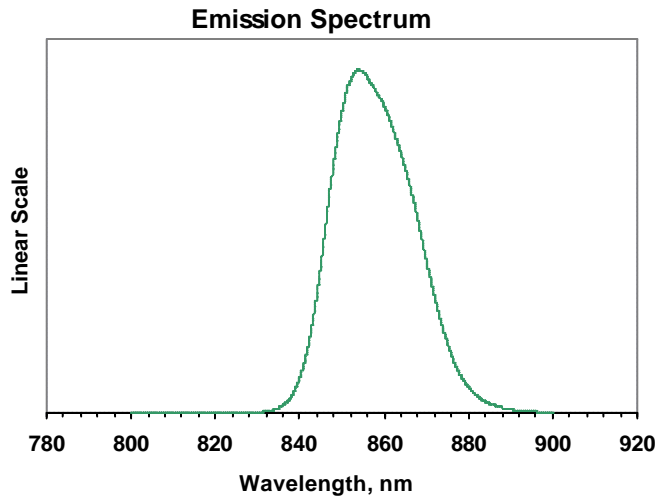
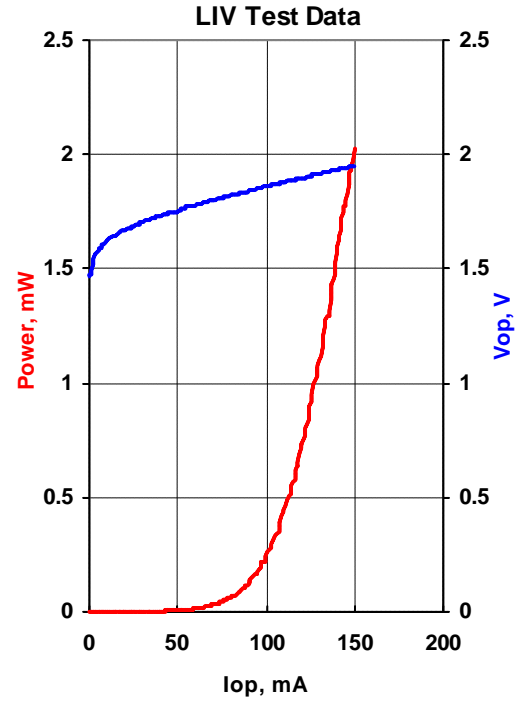
QPHOTONICS, LLC

3830 Packard Road,
Suite 170,
Ann Arbor, MI 48108,
USA

Phone: 734-477-0133
Fax: 734-477-0166
Email: info@qphotonics.com
http://www.qphotonics.com

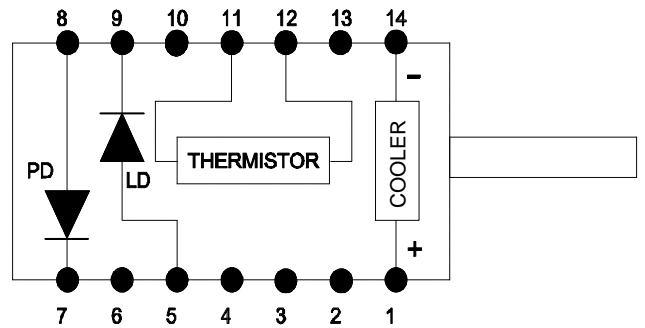
MODEL	QSSL-850-2
PART NUMBER	SL60198

Parameter	Value	Units
Internal Temperature	25	°C
Thermistor Resistance	10.0	k?
Optical Output Power	2	mW
Threshold Current	-	mA
Operating Current	149	mA
Maximum Operating Current	164	mA
Operating Voltage	1.95	V
Monitor Current	0.37	mA
Center Wavelength	858.1	nm
Spectral Width @ 0.5nm resoln	23.33	nm
Ripples @ 0.5 nm resoln	3	%



Fiber Type	HI780
NA	0.14
Connector	FC/PC

Pin	Connection
1	TE Cooler (+)
5	LD Anode (+)
7	PD Cathode (+)
8	PD Anode (-)
9	LD Cathode (-)
11	Thermistor
12	Thermistor
14	TE Cooler (-)



Operator	RL
Date	1/27/2020