



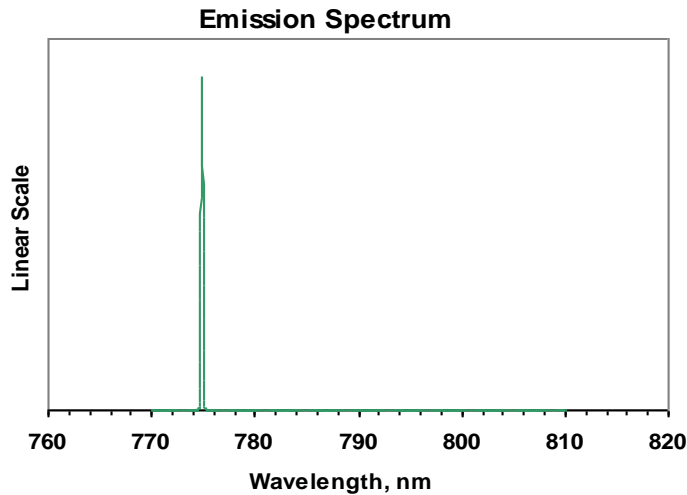
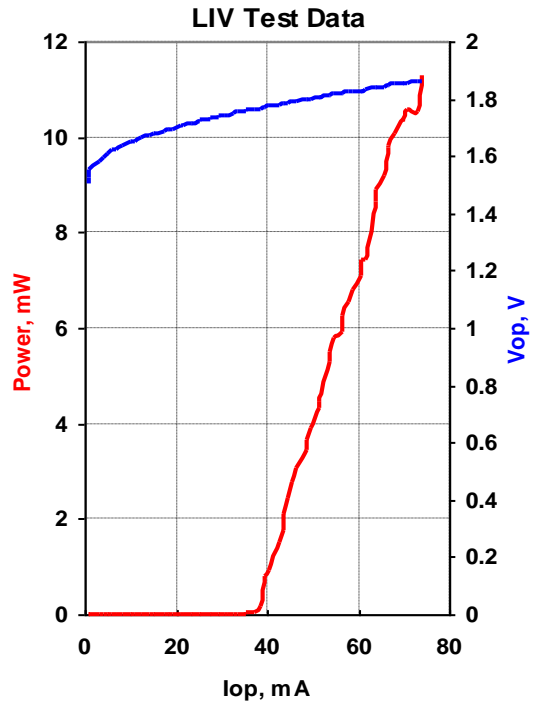
# QPHOTONICS, LLC

3830 Packard Road,  
Suite 170,  
Ann Arbor, MI 48108,  
USA

Phone: 734-477-0133  
Fax: 734-477-0166  
Email: info@qphotonics.com  
http://www.qphotonics.com

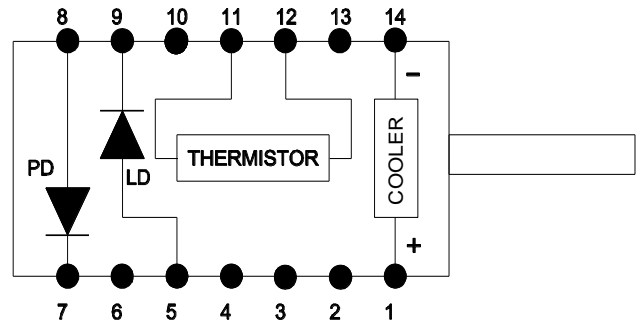
MODEL	QFBGLD-775-5
PART NUMBER	SAMPLE

Parameter	Value	Units
Internal Temperature	25	°C
Thermistor Resistance	10.0	kΩ
Optical Output Power	5	mW
Threshold Current	37	mA
Operating Current	53	mA
<b>Maximum Operating Current</b>	<b>58</b>	<b>mA</b>
Operating Voltage	1.81	V
Monitor Current	0.11	mA
Center Wavelength	774.9	nm
Spectral Width	<0.01	nm



Fiber Type	HI780
NA	0.14
Connector	FC/APC

Pin	Connection
1	TE Cooler (+)
5	LD Anode (+)
7	PD Cathode (+)
8	PD Anode (-)
9	LD Cathode (-)
11	Thermistor
12	Thermistor
14	TE Cooler (-)



Operator	NA
Date	