



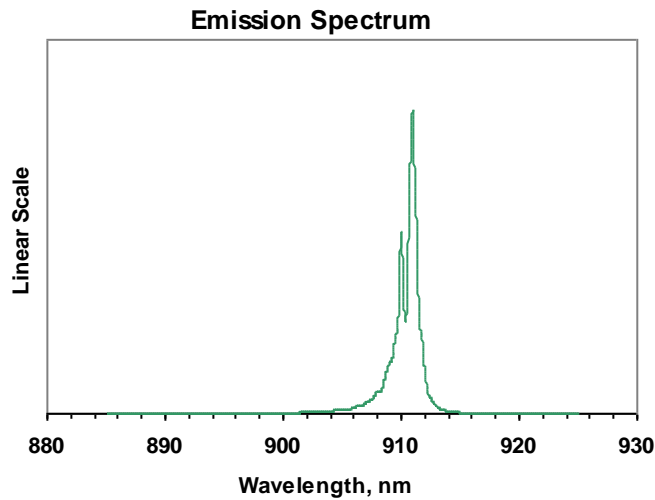
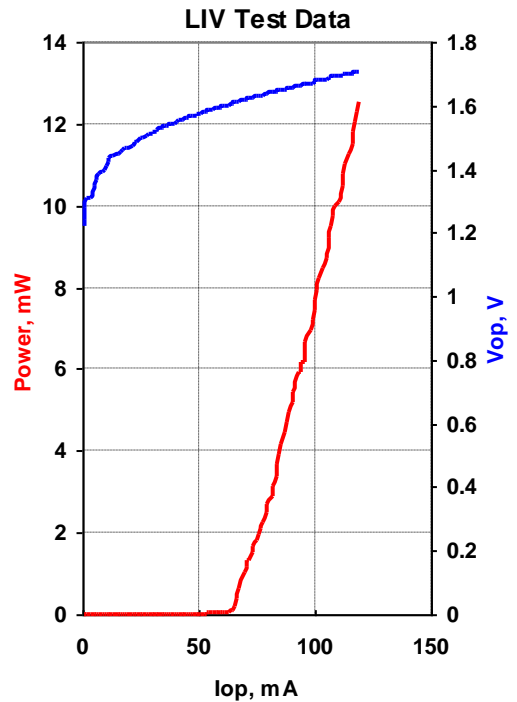
QPHOTONICS, LLC

3830 Packard Road,
Suite 170,
Ann Arbor, MI 48108,
USA

Phone: 734-477-0133
Fax: 734-477-0166
Email: info@qphotonics.com
http://www.qphotonics.com

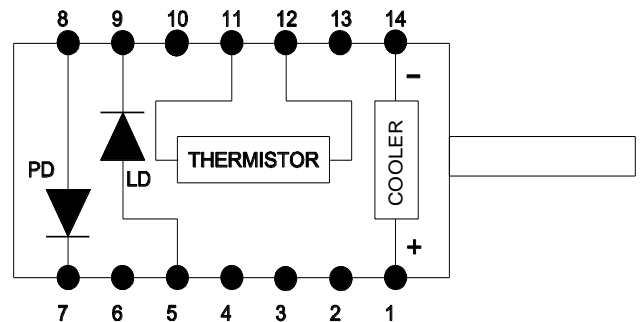
MODEL	QFLD-905-10S
PART NUMBER	SAMPLE

Parameter	Value	Units
Internal Temperature	25	°C
Thermistor Resistance	10.0	kΩ
Optical Output Power	10.1	mW
Threshold Current	66	mA
Operating Current	109	mA
Maximum Operating Current	120	mA
Operating Voltage	1.69	V
Monitor Current	0.12	mA
Center Wavelength	911	nm
Spectral Width	2.67	nm



Fiber Type	HI780
NA	0.14
Connector	sample

Pin	Connection
1	TE Cooler (+)
5	LD Anode (+)
7	PD Cathode (+)
8	PD Anode (-)
9	LD Cathode (-)
11	Thermistor
12	Thermistor
14	TE Cooler (-)



Operator	NA
Date	NA