



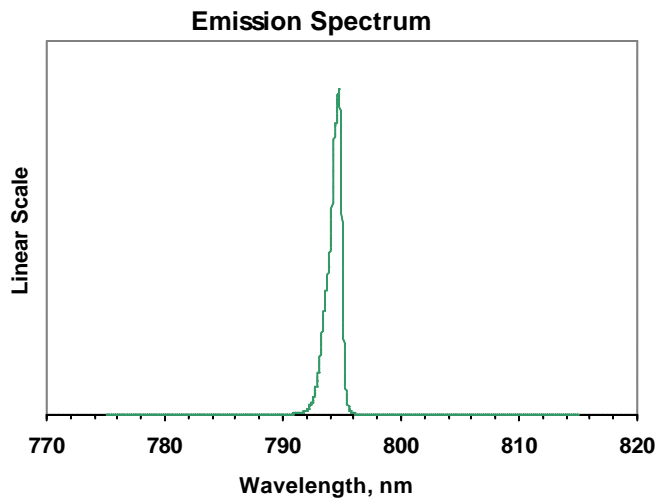
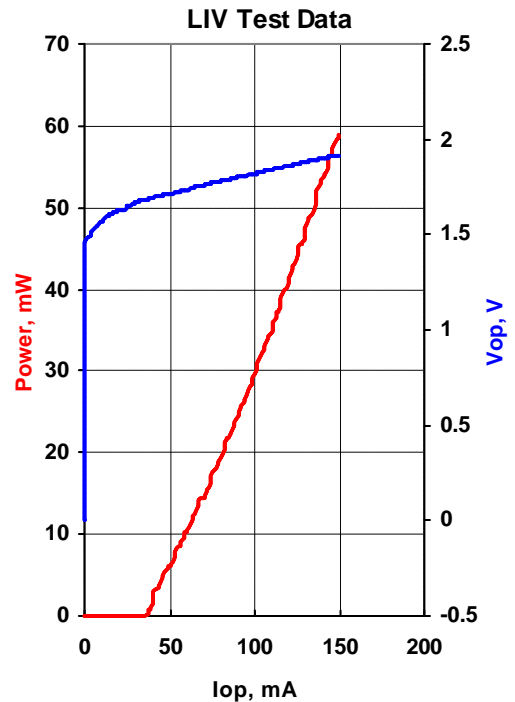
# QPHOTONICS, LLC

3830 Packard Road,  
Suite 280,  
Ann Arbor, MI 48108,  
USA

Phone: 734-477-0133  
Fax: 734-477-0166  
Email: info@qphotonics.com  
http://www.qphotonics.com

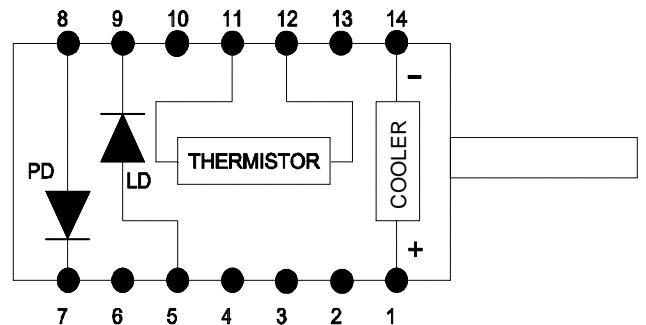
|             |              |
|-------------|--------------|
| MODEL       | QFLD-795-50S |
| PART NUMBER | SAMPLE       |

| Parameter                        | Value      | Units     |
|----------------------------------|------------|-----------|
| Internal Temperature             | 25         | °C        |
| Thermistor Resistance            | 10.0       | k?        |
| Optical Output Power             | 50.5       | mW        |
| Threshold Current                | 39         | mA        |
| Operating Current                | 135        | mA        |
| <b>Maximum Operating Current</b> | <b>148</b> | <b>mA</b> |
| Operating Voltage                | 1.89       | V         |
| Monitor Current                  | 0.23       | mA        |
| Center Wavelength                | 794.7      | nm        |
| Spectral Width                   | 1.26       | nm        |



|            |       |
|------------|-------|
| Fiber Type | HI780 |
| NA         | 0.14  |
| Connector  | FC/PC |

| Pin | Connection     |
|-----|----------------|
| 1   | TE Cooler (+)  |
| 5   | LD Anode (+)   |
| 7   | PD Cathode (+) |
| 8   | PD Anode (-)   |
| 9   | LD Cathode (-) |
| 11  | Thermistor     |
| 12  | Thermistor     |
| 14  | TE Cooler (-)  |



|          |  |
|----------|--|
| Operator |  |
| Date     |  |