



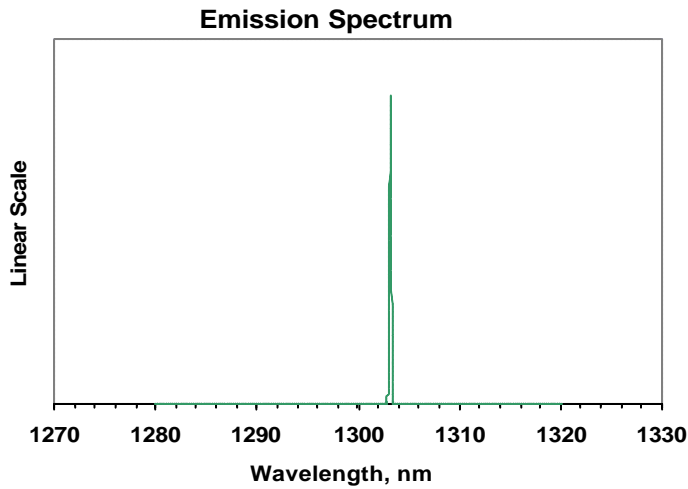
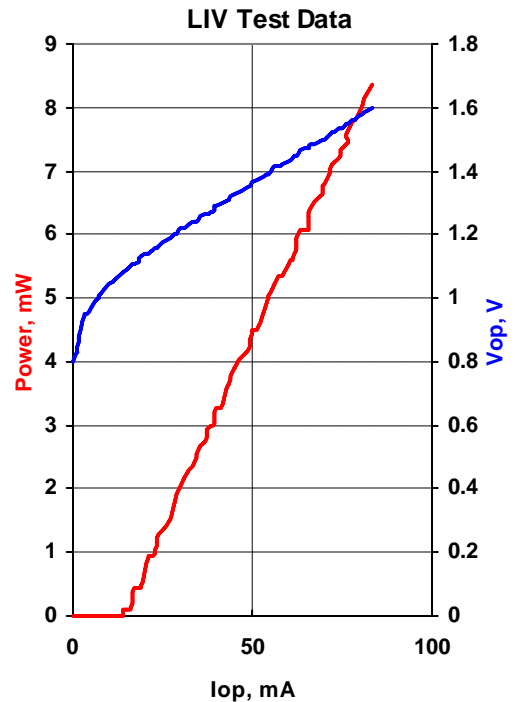
QPHOTONICS, LLC

3830 Packard Road,
Suite 280,
Ann Arbor, MI 48108,
USA

Phone: 734-477-0133
Fax: 734-477-0166
Email: info@qphotonics.com
http://www.qphotonics.com

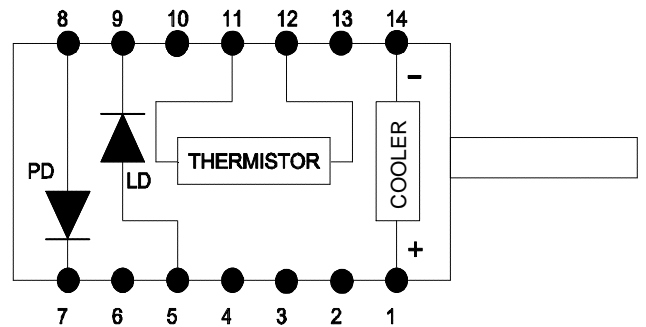
MODEL	QDFBLD-1300-5
PART NUMBER	SAMPLE

Parameter	Value	Units
Internal Temperature	25	°C
Thermistor Resistance	10.0	k?
Optical Output Power	5.1	mW
Threshold Current	16	mA
Operating Current	54	mA
Maximum Operating Current	59	mA
Operating Voltage	1.39	V
Monitor Current	0.07	mA
Center Wavelength	1303.2	nm
Spectral Width	<0.01	nm



Fiber Type	SMF28
NA	0.13
Connector	

Pin	Connection
1	TE Cooler (+)
5	LD Anode (+)
7	PD Cathode (+)
8	PD Anode (-)
9	LD Cathode (-)
11	Thermistor
12	Thermistor
14	TE Cooler (-)



Operator	
Date	